

# POWER DISTRIBUTION

Catalog  
Number  
FW-702

Type:

Flush wall boxes, sometimes called wall pockets, are designed to be permanently mounted in the stage walls, flush with the wall surface. These boxes provide safe temporary connection for theatrical luminaires, minimizing cable crossings. When not in use, the hinged cast aluminum cover remains flush with the stage wall, yet lifts easily to insert or remove the cable connector. Flush wall boxes are available in a multitude of configurations and designs.

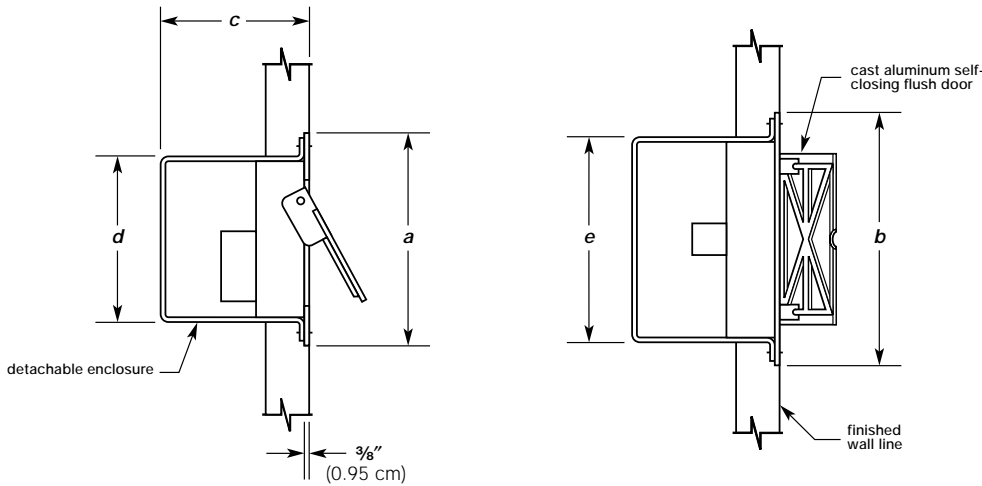
Specifications subject to change without notice.



## FLUSH WALL BOX

### Features

- 18-gauge galvanized steel enclosure provided with multiple knockouts
- Baked black enamel finish
- Rugged cast aluminum hinged cover with finger hole
- Cover remains flush with wall when not in use
- Available with multiple receptacles of various types
- Meets N.E.C. requirements for installation in concrete
- U.L.-listed
- Made in the U.S.A.



catalog number	number of receptacles	a	b	c	d	e
FW-702-1	1	7½" (19.1 cm)	6" (15.2 cm)	5¼" (13.3 cm)	5⅞" (14.9 cm)	4¼" (10.8 cm)
FW-702-2	2	7½" (19.1 cm)	9" (22.9 cm)	5¼" (13.3 cm)	5⅞" (14.9 cm)	7¼" (18.4 cm)
FW-702-3	3	7½" (19.1 cm)	10½" (26.7 cm)	5¼" (13.3 cm)	5⅞" (14.9 cm)	8¼" (21.0 cm)
FW-702-4, -5, -6	4, 5, 6	7½" (19.1 cm)	12½" (31.1 cm)	5¼" (13.3 cm)	5⅞" (14.9 cm)	10¾" (27.3 cm)

## ORDERING INFORMATION

Part Number:	model	number of receptacles	connector type
FW-702	-	-	
		1	(GTL) grounded twist-lock
		2	(PBG) parallel blade (Edison)
		3	(GPC) grounded pin (stage plug)
		4	} with grounded pin connectors only
		5	
		6	

**ALTMAN**  
Lighting, Inc.  
BRINGING IMAGINATION TO LIGHT

Copyright © 2003 Altman Lighting, Inc., 57 Alexander Street, Yonkers, NY 10701. Tel.: 914.476.7987 / 212.569.7777 / 800.4.ALTMAN. Fax: 914.963.7304. Visit us online at <http://www.altmanlighting.com>.

Altman Lighting, Inc. is a wholly owned subsidiary of Altman Stage Lighting Company, Inc.

091003