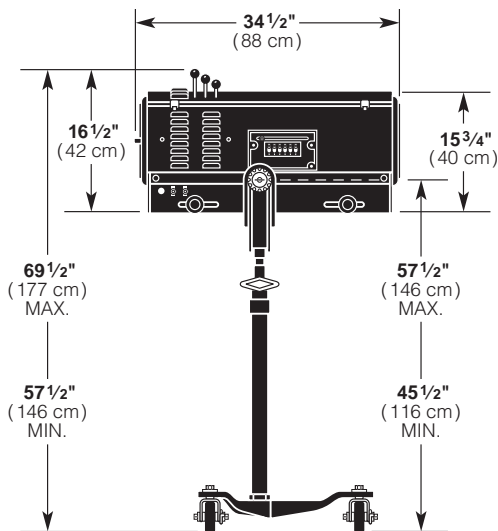


COMET

A ruggedly constructed medium to long throw follow spot, the Comet produces a narrow, hard or soft edged beam which zooms from 2.3 degrees to 12.2 degrees. With top mounted iris, shutter, and dimmer control handles, this easy to use follow spot is designed to use the unique high performance FLE, ENX and FXL quartz halogen lamps. The Comet can be used in any application where manual control of a lighting beam is required to follow a performer and to vary beam size, quality and color.

FOLLOW SPOT LIGHTING

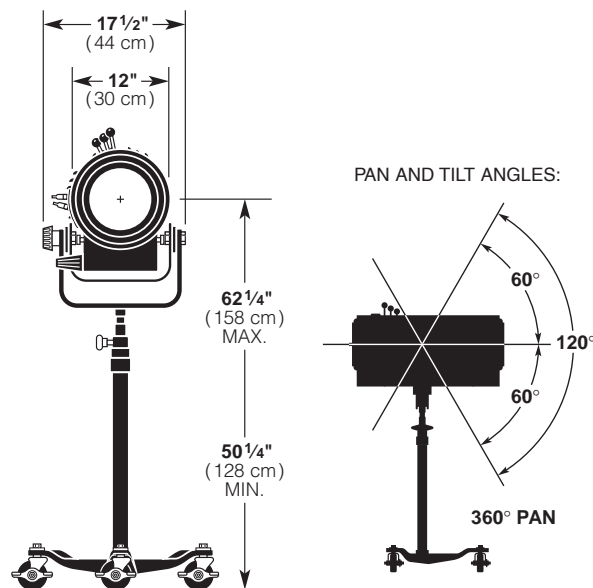
Catalog Numbers
COMET



360/410 WATT COMET FOLLOW SPOT

Features

- Sheet steel and die-cast aluminum construction
- Top operated framing, iris and dimmer controls
- Spring loaded self cancelling color boom with douser
- Dual adjustable lenses
- Positive locking pan and tilt adjustment
- Adjustable castored stand with cable hook included
- High performance lamp
- Removable 25' power cable
- U.L. and c.U.L. listed for 410 Watts
- Made in the USA



Ordering Example:

(Select item from each box)

Model

COMET

Project:

Approval Date:

Location:

Fixture Type:

ALTMAN
Lighting

BRINGING IMAGINATION TO LIGHT

57 Alexander St., Yonkers, NY 10701
© 2012 Altman Stage Lighting, Inc.

Tel: 914-476-7987

Visit our website at www.altmanlighting.com

COMET Specifications:

Housing: Sheet steel and die-cast aluminum construction.

Materials: Construction employs all corrosion-resistant materials and hardware.

Yoke: 1/8" flat steel with locking dog tilt handle.

Lenses: All lenses are high purity crown glass (white plate).

Socket: Miniature 2-pin, G5.3. Lamp ejector level provided, tool free relamping.

Rating: Input – 120 VAC, 4.0 amps max. (220–240 VAC, 50/60 Hz units available.)

Control Switches: Two 120 VAC, 20 amp toggle switches provided for POWER and LAMP

Transformer: 410VA magnetic, Class B, 82 volt secondary.

Circuit Protection: 7 amp, magnetothermal, push-button resettable circuit breaker.

Cooling: Forced air cooling: two low noise fans, both provided with finger guards.

Iris: 18 leaf, high grade stainless steel. Top operated, provided with heat resistant knob.

Color Changer: 6 frame, self canceling color boom allows for single or multiple colors to be inserted into beam path. Color changer removable without the use of tools.

Douser: Allows for instantaneous blackout and incorporated into self canceling color boom.

Dimmer: Mechanical, heat resistant brass, three leaf type. Top operated, provided with heat resistant knob.

Cable: Detachable 25' 14/3 SOW provided with male edison plug.

Shutters: 2 leaf, 18 gauge stainless steel. Top operated, provided with heat resistant knob.

Access Door, Rear: Hinged, allows access to lamp for adjustment or replacement.

Access Door, Top: Hinged, allows access to lenses for cleaning and carriage rods for cleaning and lubricating.

Lamp: 410 watt maximum, 82 volt MR-16 type.

Focusing, Lamp: Fully adjustable with three alignment screws.

Focusing, Fixture: Dual zoom lens carriers travel along zinc plated steel guide rails, each lens carrier provided with lock knob.

Stand: Three legged stand is height adjustable (12" maximum), each leg provided with wheel and wheel lock. Height adjustment lock allows for 360° continuous pan. Cable hook also included.

Finish: Black epoxy sandtex, electrostatic application.

Weight: Approx; 55 lbs. (24.8 kg.) for lamphouse. Approx; 36 lbs. (16.2 kg.) for stand (base, yoke, and support column). Total net weight approx; 91 1/2 lbs. (41.2 kg.)

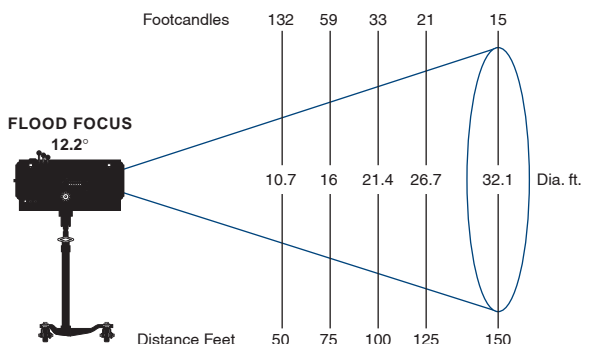
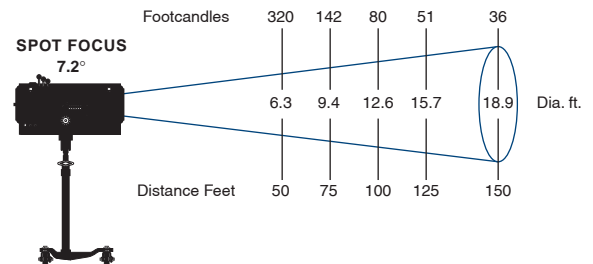
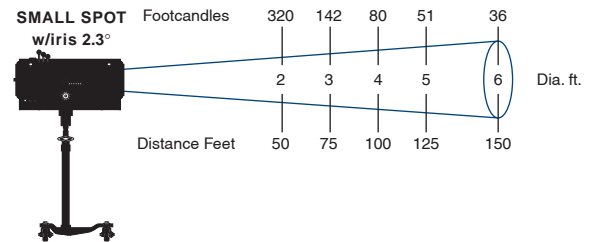
FOLLOW SPOT LIGHTING

Model #	
COMET	Comet Follow Spot

Included Accessories	
90-FLE	360W, 82V, MR-16 Lamp

Comet Performance Chart with FLE Lamp				
Fixture Type	Focus	Candle power (Candela)	Beam Angle (Degrees)	Field Angle (Degrees)
COMET	Small Spot w/Iris	800,000	2.3°	1.8°
	Spot	800,000	5.1°	7.3°
	Flood	330,000	7.6°	20.0°

Lamp Data					
Watts	Volts	ANSI Code	Color Temp °	Rated Life (Hours)	Correction Factor
360	82	FLE	3,300	75	1.0
360	82	ENX	3,300	75	0.60
410	82	FXL	3,300	38	1.1



Photometric Data for FLE Lamp