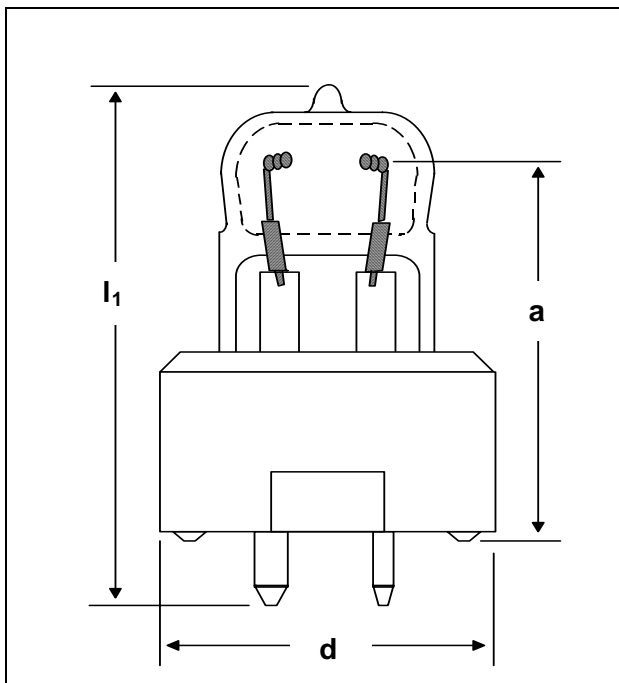


HTI® 152 W Metal Halide Lamp



- Single-ended metal halide lamp without outer bulb
- Compact design
- Short arc
- High luminance
- Daylight character (5,000 K)
- Very long service life
- Operation on standard ballasts or on electronic power supplies (ECG)

TECHNICAL DATA

Lamp order reference	HTI 152 W	
Electrical data:		
Type of current	Sine wave AC	
Rated power	150	W
Rated voltage	95	V
Rated current	1.8	A
Ignition voltage (cold)	4.5	kV _s
Photometric data:		
Luminous flux	9,500	lm
Average luminance	4,200	cd/cm ²
Color temperature	5,000	K
Geometrical data:		
Electrode gap (cold)	6.75	mm
Length (l ₁) max.	48	mm
LCL a	30 ± 1	mm
Base diameter	28	mm
Other data:		
Max. permitted base temperature	230	°C
Cooling	Fan or Convection	
Average service life	2,000	h
Base	GY 9.5	
Operating position	any (but arc only horizontal)	

APPLICATION INFORMATION

Applications

- Effect lighting
- Commercial projection

WARNING

This lamp emits a high level of ultraviolet (UV) radiation and operates at high pressure. Before use, read the complete warning accompanying the product.

Disposal

When disposing of spent lamps, always consult federal, state, local and provincial hazardous waste disposal rules and regulations to ensure proper disposal.

ORDERING INFORMATION

Lamp description: **HTI 152 W**

NAED-Code: 54079
Standard case qty.: 12/case