

## Product Information Bulletin

# QXL™ Quick eXchange Lamp

## High Performance Tungsten Halogen Lamp



- The QXL 750/77 “Quick eXchange Lamp” allows easy one-hand replacement without opening the light fixture. ¼ turn twist in /out, no tools required.
- Increased lumen output with 30.6 LPW efficacy, compared to the 750 watt HPL lamp.
- Patented ultra compact filament geometry provides maximum collection efficacy.
- Low voltage design provides worldwide application via universal power supply.
- Insulated ceramic base with high reliability contacts automatically disconnects lamp power before removal.
- eXtreme Seal (XS) Technology, which effectively protects the seal up to 500°C.
- The QXL lamp has been designed and approved by Electronic Theatre Controls, (ETC), patents pending.



### Specification Information

Lamp / order reference	QXL 750W 77V	QXL 750W 77V/X	
<b>Electrical data:</b>			
Rated lamp wattage (power)	750	750	W
Rated lamp voltage	77	77	V
<b>Photometric data:</b>			
Luminous flux	22,950	18,000	lm
Color temperature	3,250	3,050	K
<b>Geometrical data:</b>			
Light center length / LCL (a)	38	38	mm
Diameter (d)	18.4	18.4	mm
Maximum overall length / MOL (l)	104	104	mm
Filament dimensions w x h	6 x 10	6.5 x 12	mm
<b>Other data:</b>			
Average service life	300	1,500	hrs
Base	QXL	QXL	
Coil	4-C8	4-C8	
Bulb	T6	T6	
<b>Operating limits:</b>			
max. bulb temperature	950	950	°C
min. bulb temperature	250	250	°C
max. seal temperature	500	500	°C
Operating position	any	any	

## Source Four® Revolution™



### Application Information

#### Applications

- Entertainment/ Architectural

#### Fixtures

- Source Four Revolution

#### WARNING

This lamp emits ultraviolet (UV) radiation and operates at high internal pressure.

**Before use** read the complete warning accompanying the product.

#### Disposal

When disposing of spent lamps, always consult federal, state, local and provincial hazardous waste disposal rules and regulations to ensure proper disposal.

## Ordering Information

Lamp Description	NAED Code	Standard Case Quantity
QXL 750/77	54882	12/case
QXL 750/77/X	54883	40/case

For Orders and General Information:

### In The United States:

#### OSRAM SYLVANIA

National Customer  
Service and Sales Center  
18725 N. Union Street  
Westfield, IN 46074  
www.sylvania.com

#### Display/Optic

Phone: 1-888-677-2627  
Phone: 1-888-OSRAMCS  
Fax: 1-800-762-7192

#### Special Markets

Phone: 1-800-762-7191  
Fax: 1-800-762-7192

#### Industrial and Commercial

Phone: 1-800-255-5042  
Fax: 1-800-255-5043

### In Canada:

#### OSRAM SYLVANIA LTD.

Headquarters  
2001 Drew Road  
Mississauga, ON L5S 1S4  
www.sylvania.com

#### Special Markets

Phone: 1-800-265-2852  
Fax: 1-800-667-6772

#### Industrial and Commercial

Phone: 1-800-263-2852  
Fax: 1-800-667-6772

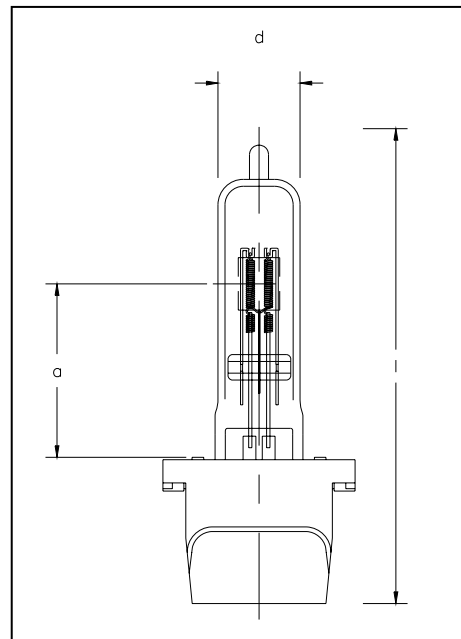
### In Mexico:

#### OSRAM DE MEXICO, S.A. DE C.V.

Camino a Tepalcapa No.8  
Col. San Martin 54900  
Tultitlan/Edo. De Mexico  
Phone: 525-899-1800  
Fax: 525-899-1902  
www.osram.com.mx

In North America OSRAM brand lighting products are sold by OSRAM SYLVANIA

QXL 750/77 Line Drawing



- QXL is a trademark of Electronics Theatre Controls, Inc., and used under license
- Source Four is a registered trademark of Electronic Theatre Controls, Inc.
- Revolution is a trademark of Electronic Theatre Controls, Inc.
- HPL licensed by ENTERTEC, Inc. under US and foreign patents