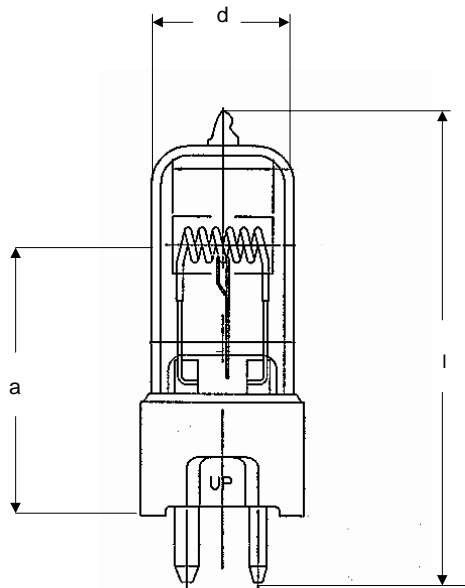


# Product Information Bulletin

## BHC/DYS/DYV

## BHC/DYS/DYV-5

### Line and High Volt SE Tungsten Halogen Lamps



- Single-ended (SE)
- T6 quartz halogen glass
- Operating Voltages of 120 and 125

#### Technical Data

Lamp / order reference (Product ordering number)	BHC/DYS /DYV (54836)	BHC/DYS/ DYV-5 (54835)	
<b>Electrical data:</b>			
Rated lamp wattage (power)	600	600	W
Rated lamp voltage	120	125	V
<b>Photometric data:</b>			
Luminous flux	17,500	17,500	lm
Color temperature	3,200	3,200	K
<b>Geometrical data:</b>			
Length l max.	64	63.5	mm
LCL (a)	36.5	36.5	mm
Diameter (d)	20	20	mm
<b>Other data:</b>			
Average service life	75	75	hrs
Base	GZ 9.5	GZ 9.5	
Coil	CC-6	CC-6	
Bulb	T-6 quartz	T-6 quartz	
Operating position	s90	s90	

#### Application Information

##### Applications

- Overhead (AV) projectors
- Stage, Studio and Theater

##### WARNING

The lamp emits ultraviolet (uv) radiation and operates at high internal pressure. **Before use** read the complete warning accompanying the product.

##### Disposal

When disposing of spent lamps, always consult federal, state, local and provincial hazardous waste disposal rules and regulations to ensure proper disposal.

## Ordering Information

<b>Lamp Description</b>	<b>NAED Code</b>	<b>Standard Case Quantity</b>
BHC/DYS/DYV	54836	24/case
BHC/DYS/DYV-5	54835	24/case

For Orders and  
General Information:  
**OSRAM SYLVANIA**  
**National Customer  
Support Center**  
18725 N. Union Street  
Westfield, IN 46074

**Display/Optic**  
Phone: 1-888-677-2627  
Phone: 1-888-OSRAMCS  
Fax: 1-800-762-7192

**Special Markets**  
Phone: 1-800-762-7191  
Fax: 1-800-762-7192

**Industrial and Commercial**  
Phone: 1-800-255-5042  
Fax: 1-800-255-5043

**In Canada**  
**OSRAM SYLVANIA LTD.**  
Headquarters  
2001 Drew Road  
Mississauga, ON L5S 1S4

**Industrial and Commercial**  
Phone: 1-800-263-2852  
Fax: 1-800-667-6772

**Special Markets**  
Phone: 1-800-265-2852  
Fax: 1-800-667-6772

Visit our website: [www.sylvania.com](http://www.sylvania.com)

