

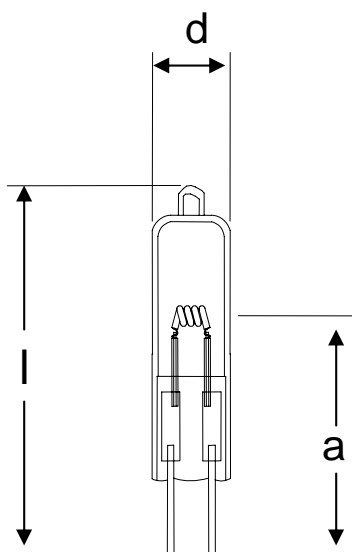
Product Information Bulletin

EHJ 64655 HLX

Efficient Tungsten Halogen Low Voltage Lamps without Reflector



EHJ 64655 HLX brings increased opportunities for all stage, studio, TV, microscope, microfilm and projection applications with superior light performance and maximum light collection efficacy. Maximizes system efficiency and life.



- Single-ended tungsten halogen lamp
- **XENOPHOT®** technology for Halogen Lamps:
 - Fill gas is Xenon instead of Krypton
 - Increases light output and life
 - Higher atomic mass reduces energy lost via the bulb walls
 - Less electrical energy needed for the same luminous flux
 - Excellent uniformed Illuminance
- High lumen output and continuous spectrum
- Provides a smoother, maximum light collection efficiency
- Solid nickel pins improve durability and prevent any breakage during installation.
- Compact coil design
- Improves light output and minimizes risk of arc-out
- *New extended life version available – EHJ 64655 HLX/7X*
- **7X=700hrs**

Specification Information

Lamp / order reference	EHJ 64655 HLX	EHJ 64655 HLX/7X	
Electrical data:			
Rated lamp wattage (power)	250	250	W
Rated lamp voltage	24	24	V
Photometric data:			
Luminous flux	10,000	8,000	lm
Color temperature	3,250	3,050	K
Geometrical data:			
Light center length / LCL (a)	33	33	m
Diameter (d)	13.5	13.5	m
Maximum overall length / MOL (l)	55	55	m
Filament dimensions w x h	7.0 x 3.5	9.75 x 3.5	m
Other data:			
Average service life	50	700	hrs
Base	G6.35 bi-pin	G6.35 bi-pin	
Coil	C Bar 6	CC6	
Bulb	T4	T4	
Operating limits:			
max. seal temperature	500	500	°C
Operating position	s 90	Any	

Application Information

- Theater, TV, Studio
- Entertainment
- Microfilm and Microscope applications
- Professional Photography

WARNING

This lamp emits ultraviolet (UV) radiation and operates at high internal pressure. **Before use** read the complete warning accompanying the product.

Disposal

When disposing of spent lamps, always consult federal, state, local and provincial hazardous waste disposal rules and regulations to ensure proper disposal.

Life (X) - extended life version lamp (up to 700 hrs. average rated life) is ideal for applications where lamps are operated for extended periods. Reduce change-outs during continuous performances.

Ordering Information

Lamp Description	NAED Code	Standard Case Quantity
EHJ 64655 HLX	54254	40/case
EHJ 64655 HLX Bulk	54231	250/case
EHJ 64655 HLX/7X	54272	24/case

For Orders and General Information

In the United States

OSRAM SYLVANIA

National Customer Sales and Service Center
18725 N. Union Street
Westfield, IN 46074

Display/Optic

Phone: 1-888-677-2627
Phone: 1-888-OSRAMCS
Fax: 1-800-762-7192

Special Markets

Phone: 1-800-762-7191
Fax: 1-800-762-7192

Industrial and Commercial

Phone: 1-800-255-5042
Fax: 1-800-255-5043

In Canada

OSRAM SYLVANIA LTD.

Headquarters
2001 Drew Road
Mississauga, ON L5S 1S4

Special Markets

Phone: 1-800-265-2852
Fax: 1-800-667-6772

Industrial and Commercial

Phone: 1-800-263-2852
Fax: 1-800-667-6772

Visit our website: www.sylvania.com

In North America OSRAM brand lighting products are sold by OSRAM SYLVANIA

