

CLEAR-COM ENCORE

PS-702 TWO-CHANNEL POWER SUPPLY

I N S T R U C T I O N M A N U A L

PS-702 Two-Channel Power Supply Instruction Manual
© 2007 Vitec Group Communications Ltd. All rights reserved.

Part Number 810493Z Rev. 2

Vitec Group Communications, LLC.
850 Marina Village Parkway
Alameda, CA 94501
U.S.A

Vitec Group Communications
7400 Beach Drive
Cambridge Research Park
Cambridgeshire
United Kingdom
CB25 9TP

Vitec Group Communications
Room 1806, Hua Bin Building
No. 8 Yong An Dong Li
Jian Guo Men Wai Ave
Chao Yang District
Beijing, P.R. China 100022

® Clear-Com, CellCom/FreeSpeak and the Clear-Com Communication Systems logo are registered trademarks of The Vitec Group plc.

CONTENTS

OPERATION	1-1
Introduction	1-1
Description	1-1
Fail Safe Power.	1-1
Front and Rear Panels	1-4
Front Panel	1-4
Rear Panel	1-5
INSTALLATION.	2-1
Quick Start	2-1
Installation	2-1
Intercom Line Connection	2-1
Line Termination (Rear Panel).	2-2
Program Input (Rear Panel)	2-2
Rack Mounting	2-2
System Checkout.	2-3
Check Termination	2-3
Check Intercom Cable Resistance	2-3
Final Tests	2-4
MAINTENANCE	3-1
Introduction	3-1
Troubleshooting Tips.	3-1
PS-702 Block Diagram	3-3
TECHNICAL SPECIFICATIONS	4-1
PS-702 Two-Channel Power Supply	4-1
GLOSSARY	5-1
LIMITED WARRANTY	6-1
Warranty Period.	6-i
Technical Support	6-i
Warranty Repairs and Returns	6-ii
Non-Warranty Repairs and Returns.	6-ii
Extended Warranty	6-ii
Service Contract	6-iii
Liability.	6-iii

IMPORTANT SAFETY INSTRUCTIONS

Please read and follow these instructions before operating this product.

1. Read these instructions.
2. Keep these instructions.
3. Heed all warnings.
4. Follow all instructions.
5. Do not use this apparatus near water.
6. Clean only with dry cloth.
7. Do not block any ventilation openings. Install in accordance with the manufacturer's instructions.
8. Do not install near any heat sources such as radiators, heat registers, stoves, or other apparatus (including amplifiers) that produce heat.
9. Do not defeat the safety purpose of the polarized or grounding-type plug. A polarized plug has two blades, with one wider than the other. A grounding-type plug has two blades and a third grounding prong. The wide blade or the third prong are provided for your safety. If the provided plug does not fit into your outlet, consult an electrician for replacement of the obsolete outlet.
10. Protect the power cord from being walked on or pinched particularly at plugs, convenience receptacles, and the point where they exit from the apparatus.
11. Only use attachments/accessories specified by the manufacturer.
12. Use only with the cart, stand, tripod, bracket, or table specified by the manufacturer, or sold with the apparatus. When a cart is used, use caution when moving the cart/apparatus combination to avoid injury from tip-over.
13. Unplug this apparatus during lightning storms or when unused for long periods of time.
14. Refer all servicing to qualified service personnel. Servicing is required when the apparatus has been damaged in any way, such as power-supply cord or plug is damaged, liquid has been spilled or objects have fallen into the apparatus, the apparatus has been exposed to rain or moisture, does not operate normally, or has been dropped.
15. **WARNING:** To reduce the risk of fire or electric shock, do not expose this product to rain or moisture.

Please familiarize yourself with the safety symbols in Figure 1. When you see these symbols on this product, they warn you of the potential danger of electric shock if the main station is used improperly. They also refer you to important operating and maintenance instructions in the manual.



This symbol alerts you to the presence of uninsulated dangerous voltage within the product's enclosure that might be of sufficient magnitude to constitute a risk of electric shock. Do not open the product's case.



This symbol informs you that important operating and maintenance instructions are included in the literature accompanying this product.

Figure 1: Safety Symbols

EMC AND SAFETY

The PS-702 Two-Channel Power Supply meets all relevant CE, FCC, UL, and CSA specifications set out below:

EN55103-1 Electromagnetic compatibility. Product family standard for audio, video, audio-visual, and entertainment lighting control apparatus for professional use. Part 1: Emissions.

EN55103-2 Electromagnetic compatibility. Product family standard for audio, video, audio-visual, and entertainment lighting control apparatus for professional use. Part 2: Immunity.

UL 60065-7, CAN/CSA-C22.2 No.60065-3, IEC 60065-7 Safety requirements.

And thereby compliance with the requirement of Electromagnetic Compatibility Directive 2004/108/EC and Low Voltage Directive 2006/95/EC

This device complies with Part 15 of the FCC Rules. Operation is subject to the following two conditions: (1) this device may not cause harmful interference, and (2) this device must accept any interference received, including interference that may cause undesired operation.



OPERATION

INTRODUCTION

Congratulations on choosing this Clear-Com product. Clear-Com was established in 1968 and remains the market leader in providing intercoms for entertainment, broadcast and industrial applications. The ruggedness and high build-quality of Clear-Com products defines the industry standard. In fact, many of our original beltacks and main stations are still in daily use around the world.

The PS-702 power supply is a powerful, yet user-friendly unit that can serve as the heart of a Clear-Com system. We recommend that you read through this manual completely to better understand the functions of the PS-702 and how to optimize your system setup.

Please pay particular attention to the section on system wiring, as improper wiring detracts from the performance of the system or causes system failure. If you encounter a situation or have a question that this manual does not address, contact your dealer or call Clear-Com directly at the factory. Our applications support and service people are standing by to assist you. (Refer to Chapter 6: “Warranty” for contact information.) Thank you for selecting Clear-Com for your communications needs.

DESCRIPTION

The Clear-Com PS-702 is a single-rack-space, one- or two-channel intercom power supply which can provide 1.2 ampere (2 amperes peak during call signals and other temporary events) per channel to operate Clear-Com beltacks and remote stations. This power is supplied to either or both channels, and will support up to 40 beltacks or 10 speaker stations. Clear-Com’s advanced fail-safe design can sense the difference between a short or an overload to optimally protect itself. Power is restored in as little as 0.5 seconds, depending upon whether there was a single or multiple short or overload. The other channel continues to operate normally. The PS-702’s advanced fail-safe circuit will bring the power back up even under full load conditions. LED indicators signal a fault on either channel. A line-level program input offers a master input level. Individual program selects, each with its own send level, are provided for each channel. Use of a switching power supply allows the PS-702 to operate with any AC line voltage from 100 to 240 volts AC at 50 or 60 Hz. The sturdy metal chassis and extra-thick front panel with integral rack ears maintains legendary Clear-Com ruggedness.

FAIL SAFE POWER

An intercom power supply has special needs that are not met by traditionally designed power supplies. An intercom power supply must work in adverse conditions such as low AC line voltage, momentary shorts on the DC power

lines to the stations, and excessive peak loads during “power-on” conditions. The following features are incorporated into the PS-702’s power supply:

- **AUTOMATIC SHORT CIRCUIT PROTECTION:** The PS-702’s internal power supply checks each channel for a short or current overload. If it detects a short the power supply will shut down that channel. A short duration short circuit will not cause the power supply to interrupt power.
- **AUTOMATIC OVERLOAD PROTECTION:** The PS-702’s internal power supply senses the difference between shorts and overloads. If an overload is detected the power supply will shut down that channel. An overload lasting a short period will not cause the power supply to interrupt power.
- **AUTOMATIC POWER RESTORE:** The PS-702’s internal power supply senses the difference between short-term and long-term shorts and overload conditions. After the first few times a short or overload occurs, the power supply will try to restore power after only 0.5 seconds. If the short or overload persists or occurs repeatedly, the power supply will take progressively longer (to a maximum of 20 seconds) to try to restore power. This protects the power supply from damage due to overheating. Once the short is removed, the channel will recover, even under a full load condition. The automatic power restore times are shown in the following chart:

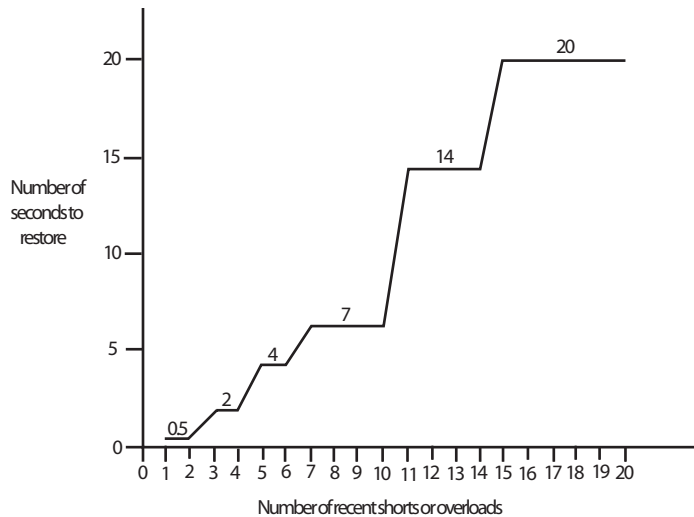


Figure 1-1: Automatic Power Restore Times

- **INDIVIDUAL CHANNEL SHORT CIRCUIT PROTECTION:** Each individual channel is separately overload and short circuit protected and may draw as much as 1.2 amperes, though the total to both channels is limited to 2 amperes. A short on any one intercom line will not bring the whole system down.
- **FRONT PANEL INDICATIONS:** There are two *short/overload* indicators on the front panel (one for each channel) and a *power* indicator for the power supply. The *short/overload* indicators light steady when an overload or short condition is detected. They blink if power to a channel has been shut off as a

result of an overload or short. There is also an indicator to show when channels *A* and *B* are linked.

- **PARALLELING MULTIPLE POWER SUPPLIES:** Multiple power supplies can be paralleled to increase system capacity. The PS-702's internal power supply will automatically detect the actions of other power supplies during overloads and short circuits to restore power as quickly as possible.
- **MULTI-CHANNEL REMOTE STATIONS MAINTAIN THE POWER LINE ISOLATION:** The RM-702 and KB-702 as well as any two-channel remote stations or beltpacks are designed to use the isolated power provided by the PS-702. Refer to Chapter 2, "Installation."
- **LOW NOISE CIRCUITRY:** The direct current outputs of the PS-702 contain very little hum and noise. The PS-702 does not contribute to audible noise in the remote stations and beltpacks.

Note: Power supply lines connected together at remote stations will disable the individual channel short circuit protection feature.

FRONT AND REAR PANELS

A description of the connectors and controls follows (Figure 1-2 on page 1-4).

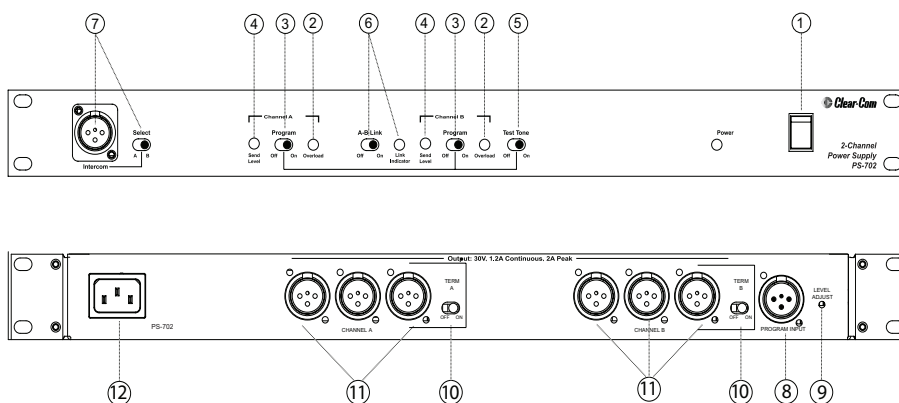


Figure 1-2: Front and Rear Panels

FRONT PANEL

1. **POWER SWITCH:** Turns the AC power to the PS-702 on and off. The green *power* light will illuminate when the power is *on*.
2. **SHORT/OVERLOAD INDICATORS:** If a short circuit or overload condition appears on either of the intercom channel outputs, the red *short/overload* light for that channel will illuminate. If this condition persists, the microprocessor will disconnect power to that channel and the red *short/overload* light will blink. If a red *short/overload* light is blinking, the fault on that channel must be located and removed. When the fault is removed, the PS-702 will restore power to that channel and the *short/overload* light will go out. If there are no shorts, but the *short/overload* light blinks, an overload exists, possibly due to too many intercom stations connected on that intercom line.

If the failure continues, unplug the intercom line connected to the affected channel. Its red *short/overload* light should go out. This indicates a short in that line. Follow that intercom line, connecting and disconnecting cables along the line until the fault is isolated.

3. **PROGRAM SEND ON/OFF:** These toggle switches, one for each channel, connect program audio to each channel. Both channels receive the same signal from the rear panel *program input*. The number of active sends will not affect the overall send level to any channel.
4. **PROGRAM SEND LEVEL:** These controls (one for each channel) adjust the level of program heard in that channel. The *program* switch must be *on* for the control to function on that channel. (The *level* controls work in conjunction with the *program trim* (8) level control on the rear panel.) For a higher program level, turn the control clockwise. For less program level, turn the control counter-clockwise. If the control is all the way up on a channel and the program level in the line is not loud enough, increase the input level with the *program trim* control on the rear panel. Conversely, if there is still program heard on a channel when its level is all the way down, decrease the

program trim level. Any change in the *program trim* level control on the rear panel to adjust for one channel will necessitate adjustments on the other channel to compensate.

Note: *Do not force the controls past their stop points as this will damage them.*

5. **TEST TONE:** This toggle switch turns on a test tone which can be heard on either or both channels when the *program send* switch for that channel is in the *off* position. It can be handy for identifying which intercom channel is which or for other test purposes. The *program send level* controls adjust the level of the test tone on each channel.
6. **A+B LINK SWITCH and INDICATOR:** This toggle switch links the audio for channels A and B together. A yellow light indicates when the channels are linked. It can be useful to have both channels linked for rehearsals, but separated for performances.
7. **INTERCOM LINE CONNECTOR and SWITCH:** A single *intercom line* connector is located on the front panel for convenience. It can be switched between channels A and B with the associated toggle switch.

REAR PANEL

8. **PROGRAM INPUT:** This three-pin female XLR jack accepts a balanced or unbalanced line-level signal. This is typically a feed from a mixing console, an air feed from a studio to remote site over a phone line, or an audio cue track. Send levels to the individual channels are controlled with a combination of the *program trim* level and the *program send* levels on the channels. This feed can be fed to either or both intercom lines.
9. **AUDIO ADJUST:** This control adjusts the overall input level of the external program coming into the PS-702. It is used with the *program send level* controls to achieve desired system program levels. Turn the control clockwise to increase the gain and counter-clockwise to reduce it.

Note: *Do not force this control past its stop points as this will damage it.*

10. **TERM. ON/OFF:** These switches (one per channel) select whether the PS-702 will provide the required termination for each channel. These should *always* be *on* unless there are other power supplies or terminated main stations in the system. If there are other possible terminations in the system, all but one must be turned *off*.
11. **INTERCOM LINE CONNECTORS:** There are three 3-pin male XLR jacks per channel, wired in parallel, or looped through. All the stations in the system are ultimately connected to the PS-702 through these jacks. Because intercom audio is bidirectional, they are neither inputs nor outputs, but may be thought of as “ports.” *Pin #1* is connected to the shield and carries the signal ground. *Pin #2* carries the DC voltage that runs the remote stations. *Pin #3* carries two way audio and call signals.
12. **AC POWER SUPPLY INPUT:** Connects to AC with an IEC cable. The PS-702 will accept any line voltage between 100 and 240 volts AC at 50 to 60 Hz. It will automatically adjust to the line voltage. There is no need for a selector switch or an external fuse.

2 INSTALLATION

QUICK START

1. Unpack the unit and inspect for any damage that may have occurred during shipping.
2. Connect the proper AC *mains* cable to the outlet on the rear panel.
3. Install the PS-702.
4. Connect the intercom lines and program input as required. Connect the AC cord to the *mains* circuit.
5. Set the two termination switches on the rear panel to *on*.
6. Switch the power *on*. The green *power* light should be *on* and the two red *short/overload* lights should be *off*.
7. Switch the *test tone* and *A+B link* switches *off*. The yellow *A+B link* light should be *off*.
8. Select program sends and set program levels as required using *program trim* and *program send level* controls.
9. Set levels and sidetone nulls at remote stations.
10. The intercom system should now be operating properly.
11. Read the rest of this manual for further information.

INSTALLATION

INTERCOM LINE CONNECTION

The PS-702 provides three rear-panel 3-pin male XLR connectors for each intercom line. These connectors are wired in parallel and intended for loop-through connection. Any single-channel station or channel of a multi-channel station connected on a line plugged into Channel *A* of the PS-702 will be “party-lined” with all the other stations on that same channel. In a multi-channel system, the goal is to assign specific people to the correct group, (i.e., the other people with whom they need to be in contact the most). This is particularly important when party-line users are on a single-channel beltpack or station; less so if they are on multi-channel stations. The pinout of the intercom connectors is as follows:

Pin 1 --- Ground (shield)

Pin 2 --- Power

Pin 3 --- Audio

LINE TERMINATION (REAR PANEL)

Switching of the channels' terminations *on* and *off* is done with the rear-panel toggle switches. In most systems, all terminations on the PS-702 should be in the *on* position (default setting). The fundamental concept of Clear-Com party-line intercom is that all channels are terminated in one location, preferably at the power supply.

Caution: *All intercom lines must be terminated. Care must be taken not to “double-terminate” a line. All unused intercom lines must also be terminated.*

The PS-702 provides terminations for each of its two channels. Clear-Com main stations and power supplies provide switch-selectable termination networks on all intercom lines. It is up to the user to ensure that the terminations are set correctly. An unterminated line will cause excessive levels, possible oscillation of line drivers, and severe imbalance of hybrid null networks. A line with double or multiple terminations will cause low levels and severe imbalance of hybrid null circuits.

If the PS-702 is the only power supply in the system (no other power supplies or powered main stations are in the system) the termination switch on each channel of the PS-702 should be switched to *on*. Simply toggle the rear-panel switch labeled *term* to the *on* position. The termination switch should be set to the *off* position *only* if the channel is terminated at another station.

PROGRAM INPUT (REAR PANEL)

An XLR connector provides the main program input to the station. This input level is controlled by the rear-panel *program trim* control adjacent to the *program input* connector. This control sets the overall level for all of the channels. The input accepts a balanced or unbalanced line-level audio signal. The program can be fed to either or both of the intercom lines by using the front-panel toggle switches labeled *program on/off*. There is one of these switches for each channel.

The pinout of the *program input* connector is as follows:

Pin 1--- Ground (shield)

Pin 2 --- - Signal

Pin 3--- +Signal

RACK MOUNTING

The unit requires 1.75 in. (4.45 cm or 1RU) of rack space. It requires no additional free rack space above or below it for ventilation. The station is 5.25 in. (13.34 cm) in depth and requires at least 2.5 in. (6.35 cm) clearance in the rear for connectors and cables. The single-piece front panel has integral “rack ears.” This adds stability and strength.

SYSTEM CHECKOUT

Before you turn on the power:

Check Termination

There should be one and only one termination for each channel in the system. This termination is usually set to *on* at the main station or power supply. To ascertain that only one termination is present on the channel, perform the following test:

1. Using a multimeter, measure the resistance between pins #1 and #3 on one of the Channel A XLR connectors at the rear of the unit.
2. If the channel is terminated properly, then the resistance should measure approximately 4 kOhm. A very high channel resistance means the channel is not terminated. Channel resistance of 2 kOhm indicates a double-termination. If a double-termination is indicated, locate the other power supply or main station and set its termination to *off*.

Note: The location of the termination switch varies with model. On some products, the termination switches are on the rear panel; on others they are inside the unit. Consult the unit's manual for the location.

3. Repeat for the other channels.
4. Check resistance between chassis ground and pin #1. Using an ohmmeter, measure the resistance from pin #1 on the main station or power supply to chassis ground. The measurement should read 10 Ohms. A high reading (over 100 Ohms) indicates that the 10 Ohm resistor in the unit has failed and requires replacement. Failure to perform the replacement will result in an audible "buzz" in the system. A reading of less than 10 Ohms (or a short) typically indicates that the shell and pin #1 of one of the interconnect cables are shorted together. Test the individual cables until the culprit is located and repair or replace the cable.

Note: Pin #1 and the shell of the XLR plug on the interconnect cables should NOT be connected together.

Check Intercom Cable Resistance

For minimal crosstalk, the ground resistance of the intercom cables should be as low as possible, preferably less than 2 Ohms. Disconnect an intercom line from the main station or power supply. At the point in the intercom line furthest from the unit, connect a clip lead jumper between pins #1 and #2. Back at the "powered" end, use an ohmmeter to measure the resistance between pins #1 and #2. A value of less than 4 Ohms is ideal.

FINAL TESTS

After you turn the power on:

1. Check for proper voltage on pin #2 of any intercom line or jack in a channel. It should read 26 - 30 volts.
2. Test for proper operation of call signaling. Activate the *call signal* on any belt pack or station. The *call* lights on all other stations on that channel should illuminate and then go out when the call button is released.
3. Adjust the sidetone null on all stations. (Refer to the manual for each specific unit for instructions.)

3 MAINTENANCE

INTRODUCTION

This chapter provides maintenance information including troubleshooting tips and a block diagram.

Caution: These servicing instructions are for use by qualified personnel only. To reduce the risk of electrical shock, do not perform any servicing other than that contained in the operating instructions unless you are qualified to do so.

TROUBLESHOOTING TIPS

SYMPTOM	CAUSE	SOLUTION
System does not operate. No power to the PS-702. Green <i>power</i> light is not illuminated and no <i>short/overload</i> lights are illuminated	No AC power to the PS-702.	Check AC connection and cable. Plug into dependable AC source.
	PS-702 has an internal power supply failure.	Unit requires servicing.
Red <i>short/overload</i> light illuminated	Short or overload on that channel due to a shorted or mis-wired cable.	Remove cables one at a time from system until the faulty line is located. Check for shorts between pins #1 and #2. Once the short is removed, the PS-702 will reset automatically and the power will come back up within several seconds, depending upon how long the short has been present.
	Defective remote station.	Check remote station and replace if necessary.
Both red <i>short/overload</i> lights are illuminated	System is overloaded.	Remove cables one at a time from system to help determine where the excess current requirements lie. Re-evaluate system current needs.
	Short in multipair cable.	Remove cables one at a time from system until the faulty line is located. Check for shorts between pins #1 and #2.
Hum or buzz in system	Inductive pickup caused by close proximity of main or remote stations to power lines or transformers.	Relocate offending unit.

SYMPTOM	CAUSE	SOLUTION
	10Ω chassis ground resistor is open.	Check the DC resistance for 10Ω between the chassis and pin #1 of any intercom connector.
<p>If this condition occurs, it is because the system ground came into contact with something that was <i>hot</i> with respect to the power supply earth ground. If this occurs, carefully check the system ground and AC distribution in the area.</p> <p><i>This is a potentially dangerous situation. A shock hazard may exist between the metal boom of a remote station headset and ground.</i></p>		
System feedback (acoustical)	Volume control at the remote station is set too high.	Adjust.
	Channel unterminated.	Set the PS-702 <i>termination</i> switch for that channel to the <i>on</i> position.
	A headset extension cord was used.	Headset extension cords are not recommended.
440 Hz tone is present on either or both channels	Test tone feature is on.	Set the <i>test tone</i> switch to the <i>off</i> position.
Excessive crosstalk	High DC resistance in ground return.	Use heavier cable; add additional conductor(s) to ground return.
	<i>Multi-channel</i> cable pairs are not individually shielded.	Replace cable with individually shielded pairs.
	Headset cables are not wired properly or shielded properly.	Correct wiring. Use headsets with properly shielded wiring.
Program signal sounds distorted	Overload of <i>program in</i> circuit.	Reduce <i>program in</i> level or reduce the gain of the program signal at the source, such as an audio mixer.

Table 3-1: Troubleshooting Tips

PS-702 BLOCK DIAGRAM

The following is a block diagram of the PS-702:

PS-702

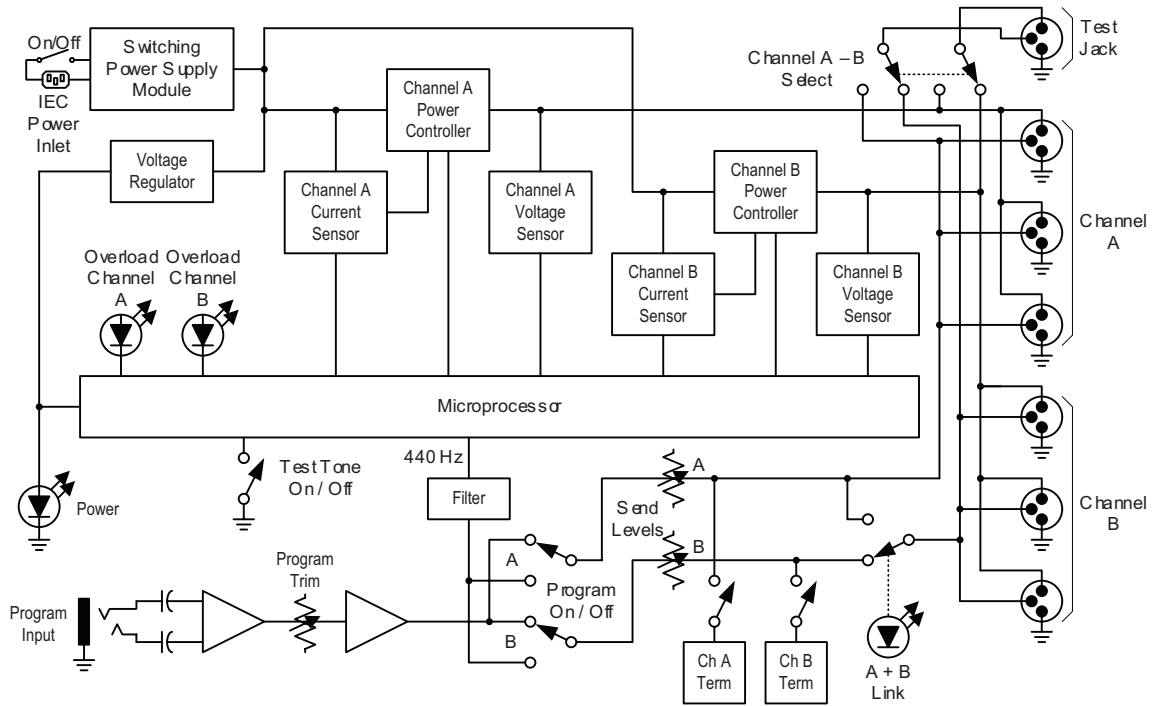


Figure 3-3: PS-702 Block Diagram

4

TECHNICAL SPECIFICATIONS

PS-702 TWO-CHANNEL POWER SUPPLY

dBu is an absolute measurement. 0 dBu is referenced to 0.775 volts RMS

Program Line Input

Maximum Level before Clipping $\geq 20\text{dBu}$
Input Impedance $\geq 5\text{K}\Omega$

Frequency Response

Program Input - Party Line 200 - 20KHz $\pm 3\text{dB}$

Max Distortion

Program Input - Party Line $\leq 0.2\%$

Noise

Program Mic Input - Party Line $< -70\text{dBu}$

Max Gain

Program Input - Party Line $\geq -16\text{dB}$

Min Gain

Program Input - Party Line $\leq -20\text{dB}$

Mains Power

Input Voltage Range 100 - 240 VAC
Input Frequency Range 50 - 60 Hz
Input Power $\leq 60\text{ VAC}$
Output Voltage 30 VDC $\pm 0.5\text{V}$
Output Current per Channel (Continuous) 1.2 A
Output Current per Channel (Peak) 2 A (Do not exceed the 1.2A rating for more than 2 seconds per 1 minute period)
Short Circuit Recovery Time (1st short) $\leq 0.5\text{ sec}$
Short Circuit Recovery Time ≥ 20 shorts in 20sec $\leq 20\text{ sec}$

Station Capacity

Up to 40 RS-601 beltpacks or 10 speaker stations or 12 headset stations distributed over both channels

Rear Panel Connectors

Intercom: (6) XLR-3M (3 per channel)
Program: (1) XLR-3F

AC Power: IEC 320 connector

Rear Panel Controls

(2) Termination On-Off switches
(1) Volume control

Front Panel Connectors

Intercom

(1) XLR-3M

Front Panel Controls & Indicators

(1) Intercom channel switch
(1) A+B link switch
(2) Program switch
(2) Send level controls
(1) Test tone switch
(2) Overload LEDs
(1) Link indicator LED
(1) Power indicator LED
(1) Power switch

Environmental

32 - 122° F (0 - 50° C)

Dimensions

19 in. W x 1.75 in. H x 7.5 in. D
(483 mm x 44 mm x 190 mm)

Weight

6.16 lbs. (2.80 kg)

Notice About Specifications

While Clear-Com makes every attempt to maintain the accuracy of the information contained in its product manuals, that information is subject to change without notice. Performance specifications included in this manual are design-center specifications and are included for customer guidance and to facilitate system installation. Actual operating performance may vary.

5

GLOSSARY

Some of the terms used when discussing critical communications for television or theatre may be new to you as they are unique to intercom applications. Although many of the terms are common to other audio applications, to be certain you understand their meanings we offer the following definitions:

All Call: Ability to push one button from the main station and talk to all channels at once on a multiple channel system.

Ambient Noise: Those background sounds which are not part of the specific communication but are picked up by the microphone. Selection of a good “noise-cancelling” mic will reduce ambient noise.

Beltpack: A portable electronics package worn on the belt or mounted on a wall or other convenient location. Interconnects to system with mic cable and is powered by a central power supply or main station.

Bridging, High Impedance (hi-Z): A method of connecting to an audio line (such as Clear-Com) without loading or taking appreciable power from that line. Simply stated, as you add more and more stations to the line, the volume remains constant.

Call Signaling: This feature is included with the majority of Clear-Com products. It is a visual indicator on a station (lamp or LED) used to attract the attention of an operator who has removed the headset.

Channel: A channel is the line that connects parties together within a party line; it is a two-way talk path. For example, if you have six people who need to hear one director, you have a seven-station single-channel need. If the same director needs to speak privately to any one of the six, add a second channel. You now have a seven-station, two-channel system.

Closed-Circuit: Any intercom which is connected via cable (also called hard-wired).

Cross Talk: Leakage of audio transmissions from one channel to another.

Dry Pair: A telephone term used to describe a pair of wires (two conductors) that carry audio but no DC voltage. Contrast this with a “wet pair” that carries both audio and voltage.

Duplex: Duplex refers to bidirectional communications. Normal communication between individual talking face-to-face is “full duplex” - in other words you can talk and listen simultaneously. The other alternative is “half-duplex” such as a push-to-talk situation where one station at a time can talk while others listen. A walkie-talkie is a good example of half-duplex communication.

IFB: The term means “Interrupted Fold Back.” A fold-back is a monitor system that allows, for example, talent to hear their voices, or musicians to hear their

voices and instruments on stage. IFB (program interrupt) disconnects the program audio source while the talk button on the main station is pushed.

ISO: A private conversation path. An ISO channel allows one to simply push a button and transfer themselves and the person they wish to speak with to an isolated channel.

Linking: Linking ties separate channels into one single party line.

Main Station: This is a product that includes both the ability to communicate with multiple channels (without connecting them together) and to power all the stations connected to these channels.

Master Station: A remote station which needs AC power to operate.

Multi-Channel: More than one channel.

Party Line (P.L.): Intercom system where all people talking on the system can talk or listen to each other simultaneously. Also called conferencing.

Point to Point: One path to one person.

Program: Audio source that is fed into the intercom channels.

Program Interrupt: Disconnects the audio source while the talk button on the main station is pushed (IFB).

Remote Mic Kill (RMK): The ability for certain main stations to shut off all microphones on beltacks in a system.

Remote Station: Like the beltack, this would be any of the products connected to the intercom line that allow duplex or half-duplex conversation, but do not contain a power supply.

Sidetone: This is your own voice heard in your earphone as you are speaking.

Stage Announce (SA): Redirects output of the main station's microphone to an external destination (such as a PA system).

Station: A station is connected to one or more channels. For example, if you have six people who need to hear one director, you have a seven-station single-channel need. If the same director needs to speak privately to any one of the six, add a second channel. You now have a seven-station, two-channel system.

Termination: Passive network that is connected in each channel, usually on the power supply or main station.

LIMITED WARRANTY

Vitec Group Communications (VGC) warrants that at the time of purchase, the equipment supplied complies with any specification in the order confirmation when used under normal conditions, and is free from defects in workmanship and materials during the warranty period.

During the warranty period VGC, or any service company authorized by VGC, will in a commercially reasonable time remedy defects in materials, design, and workmanship free of charge by repairing, or should VGC in its discretion deem it necessary, replacing the product in accordance with this limited warranty. In no event will VGC be responsible for incidental, consequential, or special loss or damage, however caused.

VGC offers 24 x 7 customer support if you have an Extended Warranty or Service Contract.

Return Material Authorization (RMA) numbers are required for all returns.

Both warranty and non-warranty repairs are available.

WARRANTY PERIOD

The product may consist of several parts, each covered by a different warranty period. The warranty periods are:

- Cables, accessories, components, and consumable items have a limited warranty of 90 days.
- Headsets, handsets, microphones, and spare parts have a limited warranty of one year.
- UHF wireless IFB products have a limited warranty of one year.
- UHF wireless intercom systems have a limited warranty of three years.
- All other Clear-Com and Drake brand systems and products, including belt packs, have a limited warranty of two years.

The warranty starts at the time of the product's original purchase. The warranty start date for contracts which include installation and commissioning will commence from the earlier of date of the Site Acceptance Test or three months from purchase.

TECHNICAL SUPPORT

To ensure complete and timely support to its customers, VGC's User Support Center is staffed by qualified technical personnel. Telephone and email technical support is offered worldwide by the User Support Center.

The User Support Center is available to VGC's customers during the full course of their warranty period. Telephone support during the warranty period will be offered at no charge between 09:00 and 17:00 according to the customer's local time zone.

In addition, for customers who purchase an Extended Warranty or Service Contract, 24-hour customer support is offered immediately upon purchase of

such agreement. For more information, contact your authorized dealer, distributor, or sales representative.

Instructions for reaching VGC's User Support Centers are given below.

Telephone for Europe, Middle East and Africa: +49 40 6688 4040

Telephone for the Americas and Asia: +1 510 337 6600

Email: vitec.support@AVC.de

Once the standard warranty period has expired, the User Support Center will continue to provide telephone support if you have purchased an Extended Warranty or Service Contract. In these cases, you will have access to telephone support 24 hours per day, 7 days per week.

WARRANTY REPAIRS AND RETURNS

Before returning equipment for repair, contact a User Support Center to obtain a Return Material Authorization (RMA). VGC representatives will give you instructions and addresses for returning your equipment. You must ship the equipment at your expense, and the support center will return the equipment at VGC's expense.

For out-of-box failures, use the following contact information:

Europe, Middle East and Africa

Tel: +44 1223 815000 Email: customerservicesEMEA@vitecgroup.com

North America, Canada, Mexico, Caribbean & US Military

Tel: +1 510 337 6600 Email: customerservicesUS@vitecgroup.com

Asia Pacific & South America

Tel: +1 510 337 6600 Email: customerservicesAPAC@vitecgroup.com

VGC has the right to inspect the equipment and/or installation or relevant packaging.

NON-WARRANTY REPAIRS AND RETURNS

For items not under warranty, you must obtain an RMA by contacting the User Support Center. VGC representatives will give you instructions and addresses for returning your equipment.

You must pay all charges to have the equipment shipped to the support center and returned to you, in addition to the costs of the repair.

EXTENDED WARRANTY

If you purchase an Extended Warranty, you are also given access free of charge to the User Support Center 24 hours a day, 7 days a week.

You can purchase an extended warranty at any time during the first two years of ownership of the product. The purchase of an extended warranty extends to five

years the warranty of any product offered with a standard two-year warranty. The total warranty period will not extend beyond five years. Any purchase of an extended warranty provides 24 x 7 customer support in addition to the warranty immediately upon purchase of the warranty extension.

Note: VGC does not offer warranty extensions on UHF wireless intercom systems, or on any product with a 1-year or 90-day warranty.

SERVICE CONTRACT

VGC also offers service contracts that provide 24 x 7 telephone support, advance replacements, training, proactive maintenance, on-site visits, and no charge for repair or replacement of equipment. For more information, contact your authorized dealer, distributor, or sales representative.

LIABILITY

THE FOREGOING WARRANTY IS VGC'S SOLE AND EXCLUSIVE WARRANTY. THE IMPLIED WARRANTY OF MERCHANTABILITY AND FITNESS FOR A PARTICULAR PURPOSE AND ANY OTHER REQUIRED IMPLIED WARRANTY SHALL EXPIRE AT THE END OF THE WARRANTY PERIOD. THERE ARE NO OTHER WARRANTIES (INCLUDING WITHOUT LIMITATION WARRANTIES FOR CONSUMABLES AND OTHER SUPPLIES) OF ANY NATURE WHATSOEVER, WHETHER ARISING IN CONTRACT, TORT, NEGLIGENCE OF ANY DEGREE, STRICT LIABILITY OR OTHERWISE, WITH RESPECT TO THE PRODUCTS OR ANY PART THEREOF DELIVERED HEREUNDER, OR FOR ANY DAMAGES AND/OR LOSSES (INCLUDING LOSS OF USE, REVENUE, AND/OR PROFITS). SOME STATES DO NOT ALLOW THE EXCLUSION OR LIMITATION OF INCIDENTAL OR CONSEQUENTIAL DAMAGES OR THE LIMITATION ON HOW LONG AN IMPLIED WARRANTY LASTS, SO THE ABOVE LIMITATIONS MAY NOT APPLY TO YOU. IN ANY EVENT, TO THE MAXIMUM EXTENT PERMITTED UNDER APPLICABLE LAW, VGC'S LIABILITY TO CUSTOMER HEREUNDER SHALL NOT UNDER ANY CIRCUMSTANCES EXCEED THE COST OF REPAIRING OR REPLACING ANY PART(S) FOUND TO BE DEFECTIVE WITHIN THE WARRANTY PERIOD AS AFORESAID.

This warranty does not cover any damage to a product resulting from cause other than part defect and malfunction. The VGC warranty does not cover any defect, malfunction, or failure caused beyond the control of VGC, including unreasonable or negligent operation, abuse, accident, failure to follow instructions in the manual, defective or improperly associated equipment, attempts at modification and repair not approved by VGC, and shipping damage. Products with their serial numbers removed or defaced are not covered by this warranty.

This warranty does not include defects arising from installation (when not performed by VGC), lightning, power outages and fluctuations, air conditioning failure, improper integration with non-approved components, defects or failures

of customer furnished components resulting in damage to VGC provided product.

This limited warranty is not transferable and cannot be enforced by anyone other than the original consumer purchaser.

This warranty gives you specific legal rights and you may have other rights which vary from country to country.