

THEMED ARCHITECTURAL LIGHTING

Catalog Number
ODEC*



ODEC specifications subject to change without notice.

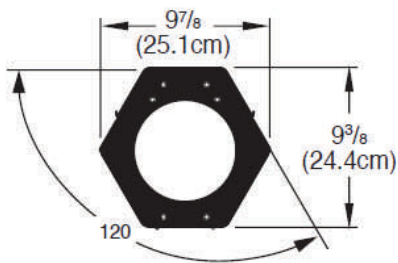
Fixture Type:

The Altman ODEC is the first fully functional outdoor ellipsoidal with 15°-35° or 30°-55° zoom focus, framing shutters, glass/ steel pattern projection capabilities, internal & external mounting options for color media, dual gobo rotator, mechanical douser, louver or scroller. The removable lid allows for maximum accessibility during installation, lamp changes or lens adjustments. Two stainless steel safety cables hold the lid securely when the fixture is opened. The lid is secured to the body with four side-mounted link-lock latches that provide a water tight seal. Padlocks of appropriate size can be added for security. The proprietary highly polished reflector is engineered for use with T6 G12 CDM/ CMH lamps for maximum output. The lens focus adjustment is via Teflon guides throughout the focus range. Focus is secured by way of brass thumb screws. The ODEC comes complete with pattern holder, image clarifying donut & internal color media holder.

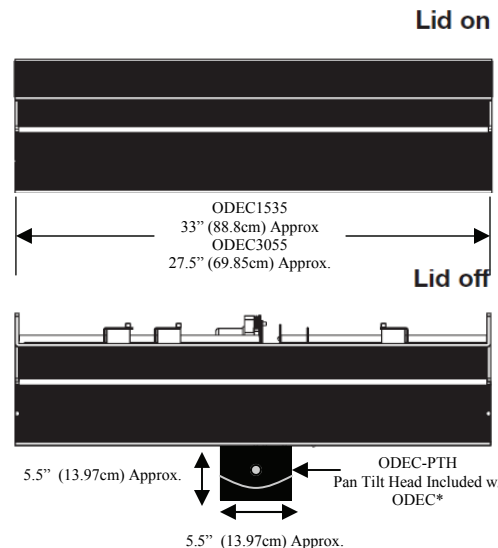
70 or 150 WATT CDM/ CMH Architectural ODEC* Outdoor Ellipsoidal

Features:

- 15-35 or 30-55 Degree Zoom capabilities
- Low-Friction Teflon® lens glides
- Utilizes 12,000 hour CDM lamps w/ high CRI
- Low Noise, high efficiency electronic ballast
- Easily adjustable stainless steel shutters
- Included pattern holder accepts standard B-Size glass or steel templates
- Lamp Centering & Peak/ Flat field adjustment knobs
- Compact, rugged welded aluminum & stainless steel fabrication
- Link-Lock latches for security
- Designed for indoor/ outdoor applications
- Cable entry glands and mounting holes located on bottom of luminaire
- Secured safety loop in fixture body
- U.L. & c.U.L. listed for wet locations
- Made in the USA



ALTMAN
Lighting, Inc.
BRINGING IMAGINATION TO LIGHT



Architectural ODEC Outdoor Series

Specifications

Materials: Construction employs all corrosion-resistant materials and hardware.

Head: Welded aluminum fabrication.

Rating: 120 volt AC operation; 50/60Hz .58 amps with 70W lamp and 70W ballast; 1.25 amps with 150W lamp and 150W ballast. 240 and 277 VAC units are available.

Lamp/Socket: 70W or 150W UV Block G12 Ceramic Metal Halide lamp. 5kV pulse rated.

Lamp Alignment: Fully adjustable in 3 axis with the use of two heat resistant concentric knobs.

Lens: Crown Glass (white plate) with anti-reflector coated surfaces.

Reflector: Proprietary curve, specular aluminum

Focusing: Lens movement contained within body, adjustable with brass thumb screws

Accessories: Internal accessory slot(s) accept color filters or glass filters or B-Size glass and steel patterns. External accessory slot accepts 7 1/2" accessories.

Weight: 15-35 Approx. 35 lbs. (15.9 kg).

Specifications (External Housing)

Construction: 1/8" heavy-gauge aluminum construction (body and lid).

Viewing Window: Glass, 0.25-inch (6.35 mm) thick, 6 1/4" diameter.

Environment: Indoor/Outdoor; -10° to 120°F (-23° to 49°C).

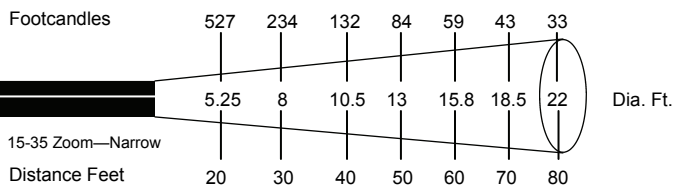
Latches: Link-lock No. 3, stainless steel; can be secured with padlocks (not supplied).

Mounting: Per specification.

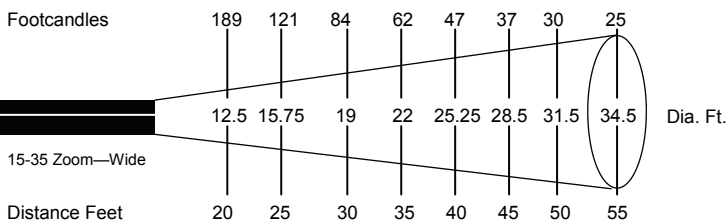
Accessories: Installed with locking external slot.

Finish: Black, white or silver TGIC polyester. Custom colors available.

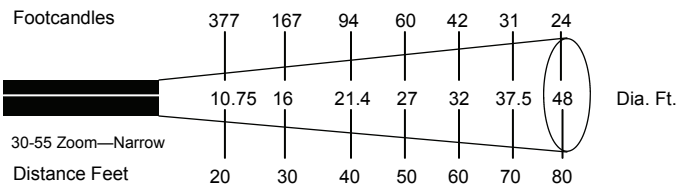
ODEC-1535 Beam Angle 9°
150 Watt CDM Lamp Field Angle 15°



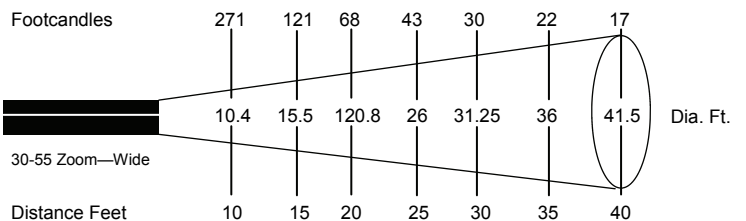
ODEC-1535 Beam Angle 15°
150 Watt CDM Lamp Field Angle 35°



ODEC-3055 Beam Angle 13°
150 Watt CDM Lamp Field Angle 30°



ODEC-3055 Beam Angle 15°
150 Watt CDM Lamp Field Angle 55°



Ordering Information					
Model	30-	Lens	Voltage	Wattage	Color
ODEC		15-35	110	70	(B)lack
55 Approx. 28 lbs. (12.7 kg).		30-55	240	150	(W)hite
			277		(S)ilver
					(X)Custom

Accessories Supplied with LUMINAIRE	
ODEC-PTH	Outdoor Ellipsoidal pan/tilt head used for pedestal mount
SC-36-BK	Black Safety Cable with Spring Clip
ODEC-CF	Black Outdoor Ellipsoidal Color Frame (Color Frame accepts 6" dia. Glass or Gel media)
ODEC-DN	Outdoor Ellipsoidal Donut
ODEC-PH	Outdoor Ellipsoidal Pattern Holder (B-Size Glass or Steel)

Additional Accessories	
ODEC-FRAME-* 510-HD	Outdoor Ellipsoidal Rectangular under hung yoke (510-HD Not Included) Heavy Duty Malleable Iron: for 1/2 to 2" Pipe, Incl. 1/2-13 Bolt (13lbs.)
ODEC-HDWM-*	Outdoor Ellipsoidal Heavy Duty Wall Mount
ODEC-PMA-*	Outdoor Ellipsoidal Pole Mount Accessory (must be used with ODEC-HDWM)
ODEC-HDPM-10	Outdoor Ellipsoidal 10" Heavy Duty Pedestal Mount
99-TS-5292	ODEC Internal Mechanical Dowser (DMX signal & power supply)
99-TS-5222	ODEC Internal Non-Indexing Rotator (power supply required)
99-TS-5278	ODEC Internal Indexing Rotator (power supply required)
99-TSPS-120V	ODEC Dual Power Supply 120V
99-TSPS-230V	ODEC Dual Power Supply 230V

Lamp Information							
Lamp Type	Watts	Efficiency	Color Temp (°K)	Rated Life (Hours)	Rated Lumens	Color Rendering Index	Burn Position
CDM 70/T6/830	70	>92 LPW	3000	12,000	6,600	82	Any
CDM 70/T6/942	70	>92 LPW	4000	12,000	6,600	92	Any
CDM 150/T6/830	150	>93 LPW	3000	12,000	14,000	85	Any
CDM 150/T6/942	150	>85 LPW	4000	6,000	12,700	95	Any
CDM SA150/T6/942	150	>86 LPW	4200	5,000	12,900	96	Any