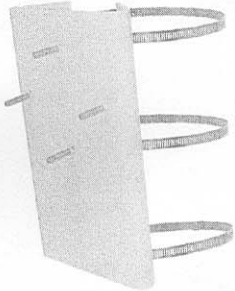


ODEC-1535 MOUNTING OPTIONS

ODEC-PMA

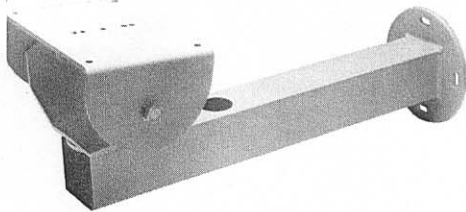
Pole Mount Option



MUST BE USED WITH ODEC-HDWM

ODEC-PTH

Pan-Tilt Head



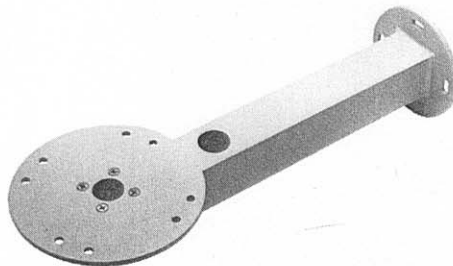
SHOWN WITH ODEC-HDWM

ODEC-HDWM

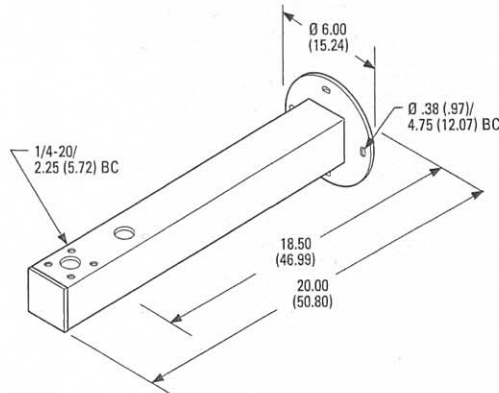
Heavy Duty Wall Mount

Product Features

- Wall Mounting
- Can Also be Used in Corner, Pole, and Parapet Applications when used with Appropriate Mount Adapter
- Supports up to 75 Pounds (34 kg); 150 Pounds (68 kg) when used with ST1 Strut
- For use with Medium- and Heavy-Duty Pan/Tilts or Enclosures
- Cable Feedthrough Holes (Top and End of Arm); Removable Plastic Cap on Front End



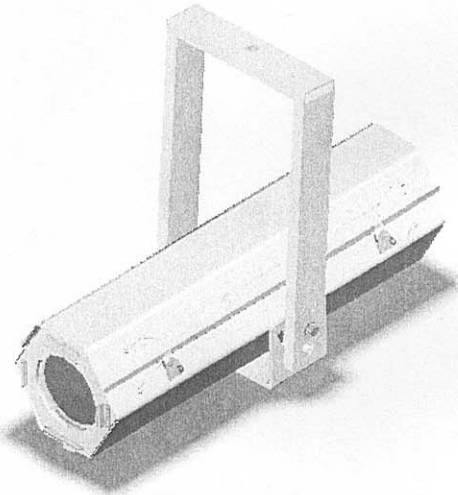
MEASUREMENTS



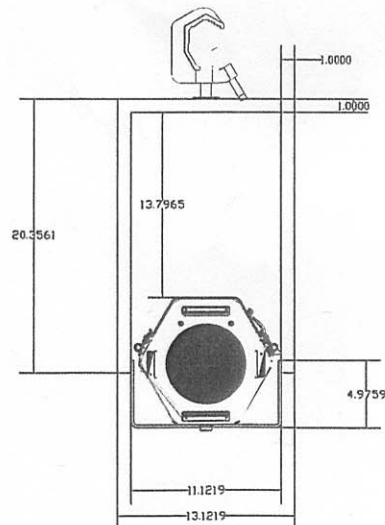
NOTE: VALUES IN PARENTHESES ARE CENTIMETERS;
ALL OTHERS ARE INCHES.

ODEC-FRAME

Under Hung ODEC Yoke



SHOWN WITH ODEC
MEASUREMENTS



PLEASE CONTACT THE ALTMAN FACTORY FOR ADDITIONAL INFORMATION

Altman Lighting, Inc. • 57 Alexander Street, Yonkers, NY. 10701 • PH: 914.476.7987 FAX: 914.968.5713
Visit our website at <http://www.altmanltg.com> ©2002 Altman Stage Lighting Company, Inc.
Altman Lighting, Inc. is a subsidiary of Altman Stage Lighting Company, Inc.